

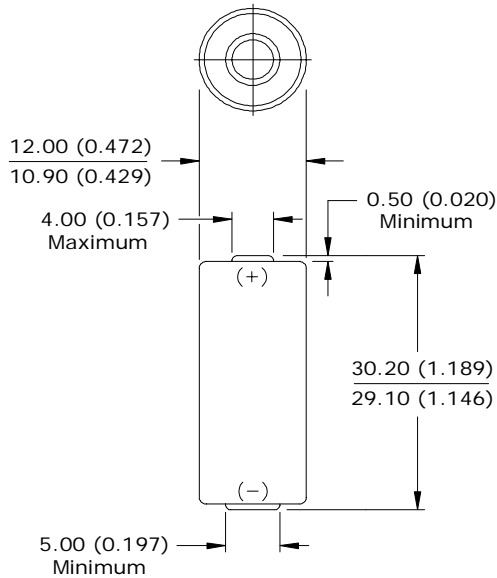
**ENERGIZER NO. E90**

**N**



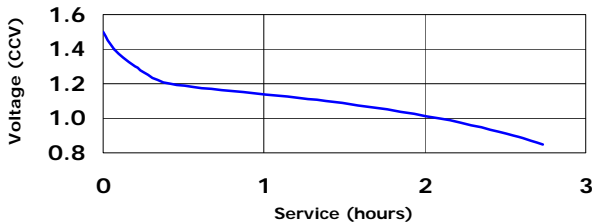
**Industry Standard Dimensions**

mm (inches)

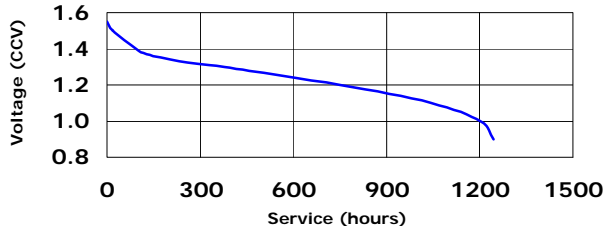


**Industry Standard Tests (21°C)**

**LIGHTING**  
5.1 ohm 5 min/day



**PAGER**  
3K/10 ohm 5 sec/hour 24PPD/1RPD



**Specifications**

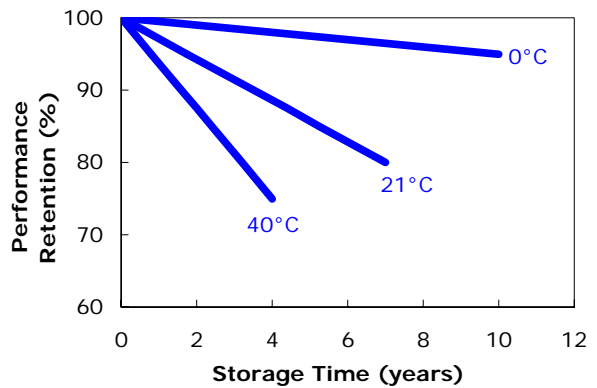
**Classification:** "Cylindrical Alkaline"  
**Chemical System:** Zinc-Manganese Dioxide (Zn/MnO<sub>2</sub>)  
*(no added mercury or cadmium)*  
**Designation:** ANSI-910A, IEC-LR1  
**Nominal Voltage:** 1.5 volts  
**Typical Capacity:** 1,000 mAh\* (to 0.8 volts)  
 (based on 25 mA continuous at 21°C)

\* Varies according to the applied load, temperature, and cutoff voltage.

**Operating Temp:** -18°C to 55°C (0°F to 130°F)  
**Typical Weight:** 9.0 grams (0.3 oz.)  
**Typical Volume:** 3.3 cubic centimeters (0.2 cubic inch)  
**Jacket:** Plastic Label

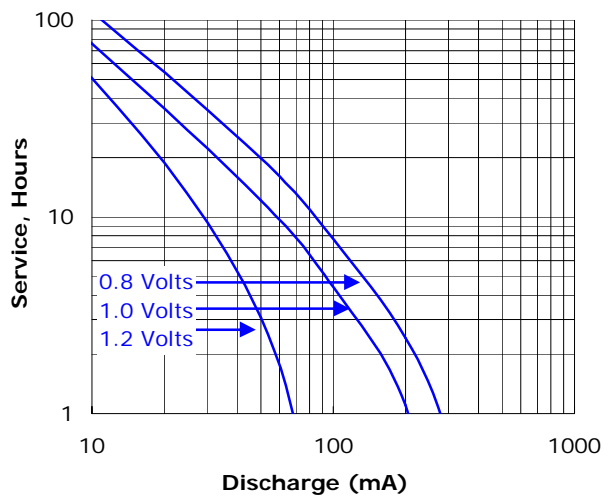
**Storage/Capacity Characteristics**

Effects of Storage at Various Temperatures



**Constant Current Performance**

Typical Discharge Characteristics (21°C)



**Important Notice**

This data sheet contains typical information specific to batteries manufactured at the time of its publication.

**Contents herein do not constitute a warranty.**

©Eveready Battery Company, Inc. - All Rights Reserved